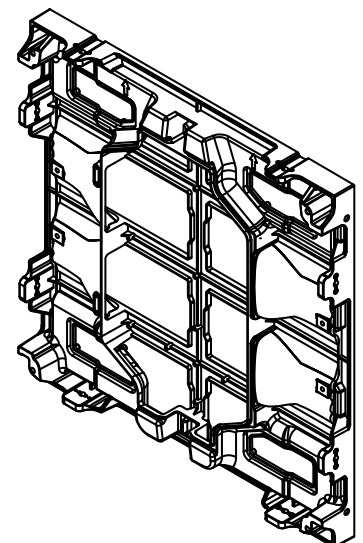
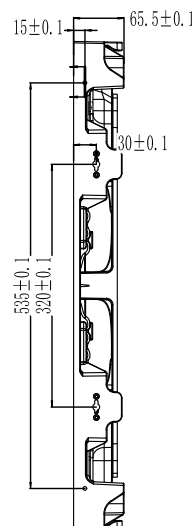
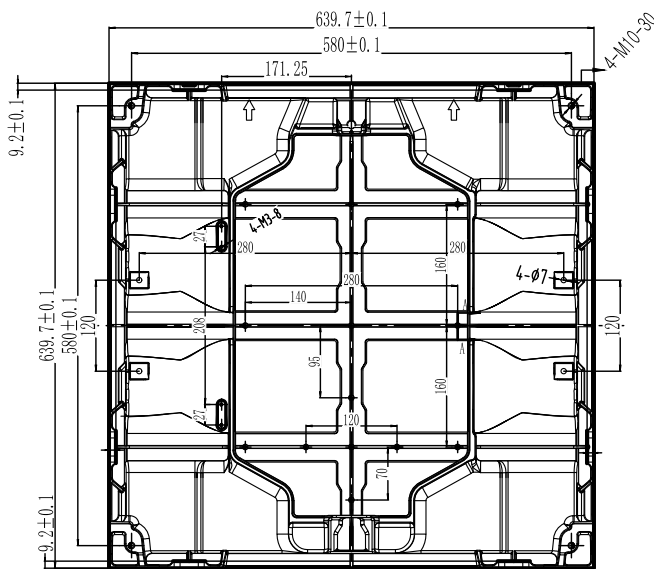
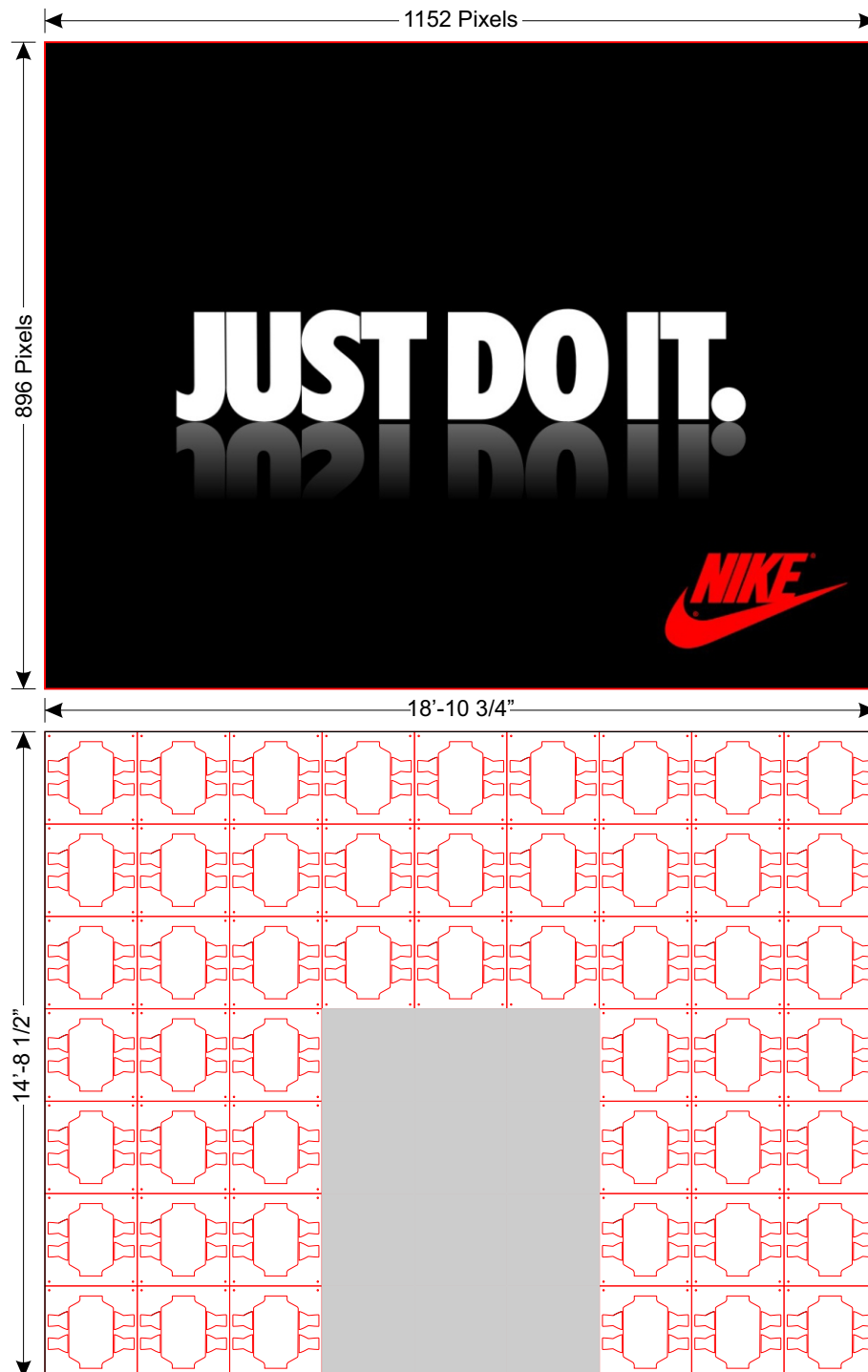


Model	5 mm Full Color LED Touring Display HO
Usage Type	Indoor / Outdoor
Pixel Pitch	5 MM
Brightness \geq	6500 cd/m2
Cabinet Size With	640 mm
Cabinet Size Height	640 mm
Cabinet Size Depth	100 mm
Cabinet Resolution	128*128 Pixels
Resolution / Density (pixel/m2)	40000
Configuration	SMD 3in1
LED Type	2727
Receiver Card	LINSN
Module Size	320 mm x 160 mm
Module Resolution (W*H)	32x32
Cabinet Module Configuration	2(W) x 4(H)
Cabinet Material	Die-cast Mg/Al Alloy
Cabinet Weight (lbs)	26.5
View Angle Horizontal	120°
View Angle Vertical	120°
Input Voltage	ACV 100 – 240
Average Power Consumption Per Cabinet	185 W
Max Power Consumption Per Cabinet	450 W
Drive IC	MBI 5124
Driving Method / Type	1/8 Scan
Video Input	DVI or HDMA
Refresh Rate \geq	1920 Hz
Frame Frequency >	60 Hz
Gray Scale Processing (bits)	16
Software Brightness Control	256/16
Ingress Protective Grade	IP 65
Maintenance Access	Rear
Nominal Viewing Distance (Feet) \geq	16.5
Operating Temperature	-22 F to 122 F
Certifications	CE, FCC
Lifetime (Normal Temperature Conditions) Hours	100000
Module Display Uniformity	3.00%



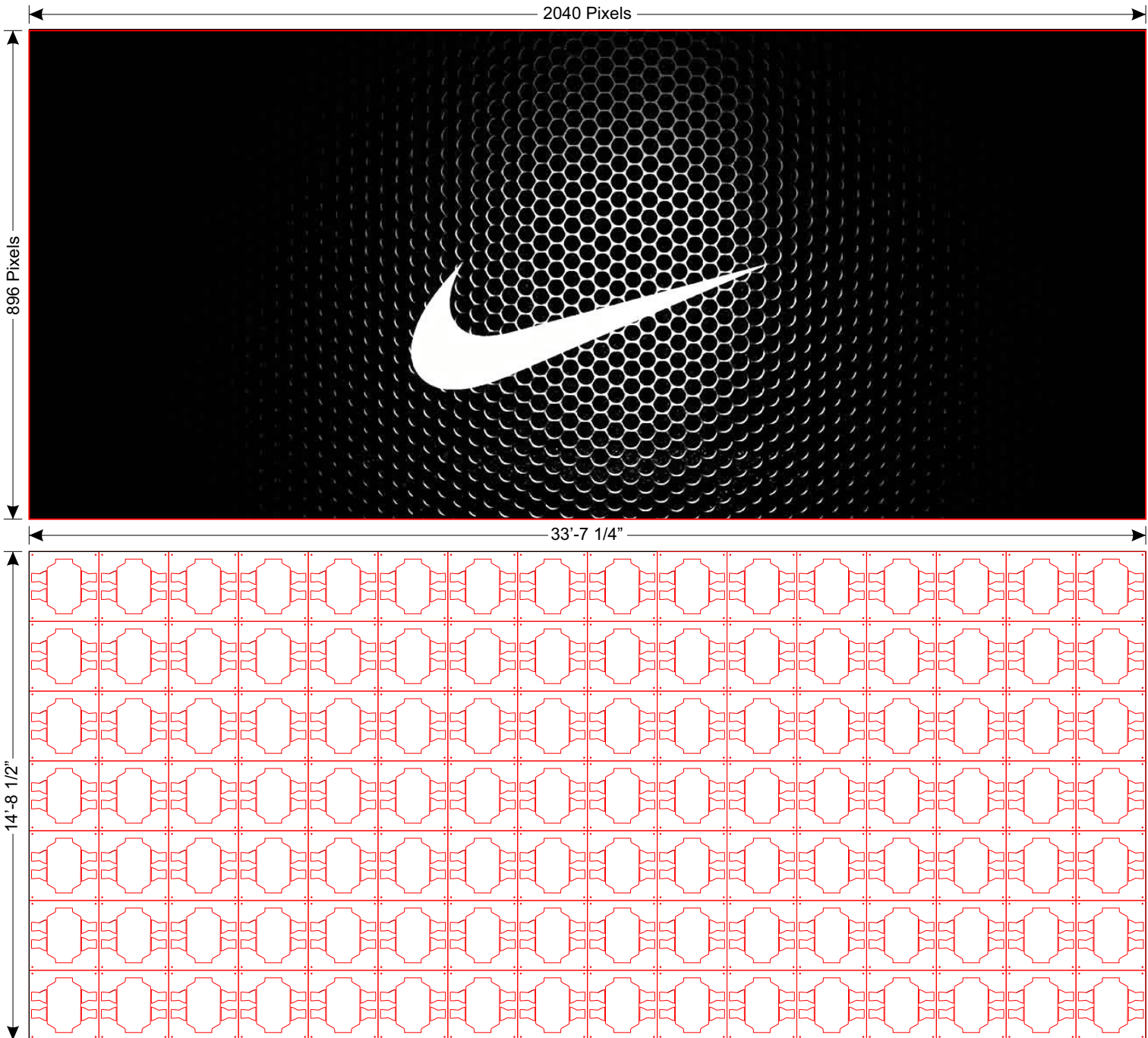


Nike SNKRS Box Display Size Specifications Front (Door Side)





Nike SNKRS Box Display Size Specifications Right and Left Sides





Nike SNKRS Box Display Size Specifications Rear

